

Eco Gravity



A unique purification system, which can be used in any coherence, in any part of the world. No need for electricity or water pressure!

This system is perfect for staff camp, refugee camp or emergency container. Eco Gravity is a purification unit run solely by gravity. By simply filling water into the top compartment, it is then filtered through ceramic candles and filling up the lower compartment with clean, uncontaminated drinking water. The lower compartment has a small tap, open it, and you can enjoy clean drinking water. The system can deliver 40 liters of drinking water per 24 hours!

This system is extremely easy to set up and highly user friendly. Weighing only 1.5kg, it is easy to move. Simple maintenance. The unit is available in plastic or stainless steel.

Specifications

Capacity

Up to 40 litres of uncontaminated, clean water per 24 hours with two ceramic candles. It is advisable to change the candles after 6-12 months of daily use. The unit does not work below freezing point.

Measurements

Diameter: 22 cm
Height: 48 cm

INTRODUCTION

Now that you have acquired an Eco Gravity purification system, you have taken the first step towards protecting you and your family from the dangers of water-borne diseases.

The Eco Gravity purification system is based on gravity, where you easily fill water in the upper chamber, allowing gravity to do the rest of the job! Through the tap at the bottom of the unit you can get up to 40 liters of drinking water per day. The system is very easy to install and use, and requires minimal maintenance.

Follow these simple instructions and Eco Gravity will provide you with clean drinking water for many years.

INSTALLATION

1. Remove the filter element(s) and other items from their protective packaging. Check that all parts are present (see image to the right).
NOTE: The number of parts supplied depends on the type of unit you ordered. There will be a filter element for each hole found at the bottom of the device's upper part.
2. Hygiene is extremely important. Wash your hands before handling the product. Make sure that contamination of the components does not occur during assembly.
3. Fit the knob (1) on the lid (2) by moving the screw (3) through the hole in the lid and tighten the knob. Use only manual power.
4. Place the sealing disc (10) over the threaded part of the filter element (5).
5. Place the filter element(s) in the hole(s) at the bottom of the upper part (4).
6. Attach the filter element(s) by turning the wing nut (11) at the mounting end of each filter element.
7. Place the disc (8) on the threaded part of the tap (7).
8. Place the tap in the hole on the side of the lower part of the unit (6). Place the second disc on the threaded part of the tap (inside of the unit) and fasten the tap with the nut (9).
NOTE: To achieve a tight seal, hold the tap until the nut is fastened by hand. Then hold the nut and tighten the coupling by rotating the tap at least one quarter turn before it comes to a standing position. Check that the outer sealing disc is sealed to the bottom of the lower chamber.
9. Put the upper part (4) on the lower part (6) of the unit and place the lid on top.

IN USE

1. Check that the tap (7) is closed.
2. Fill water into the upper part of the unit (4).

NOTE: Each filter element will produce 15 liters of drinking water every 24 hours. We recommend that the first tank of purified water is not used as it may contain residues etc. from the production.

MAINTENANCE

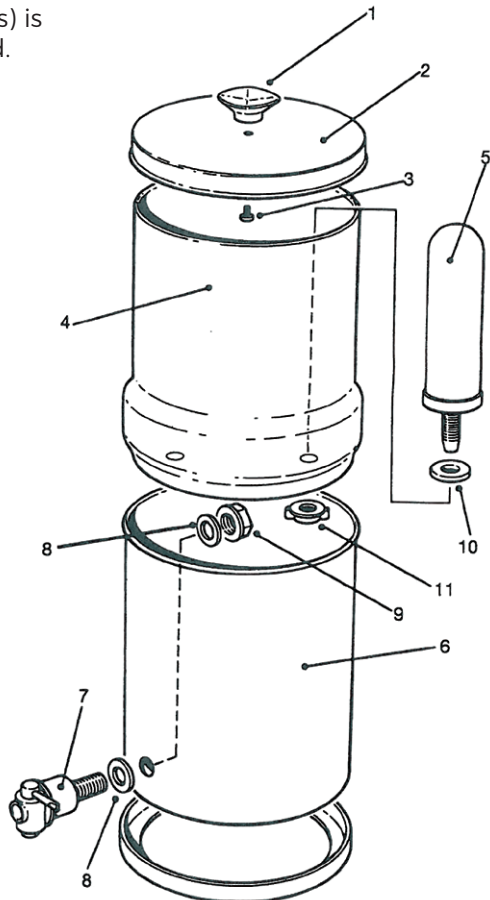
After the unit is mounted as described, weekly cleaning of the filter element(s) is the only maintenance that is required.

To clean a filter element:

1. Remove the filter element(s) (5) from the top of the unit (4) by turning off the wing nut (11).
2. Hold the filter element(s) under running water or in a bowl of water and scrub with the enclosed pad. Brush direction should always be FROM the mounting end of the filter, towards the "tip". NEVER use soap or detergent.
3. Replace the filter element(s) as described in the installation instructions.

Elements should be replaced after six months of use (daily use).

NOTE: Eco Gravity is designed to remove harmful bacteria from water. The device does NOT remove dissolved chemicals.



Eco Water

Eco Water is Norwegian company, specialized in developing and distributing water purification systems for several uses and settings.

Eco Water can offer a unique range of high quality water purifications systems. We provide solutions for private households, for cabins and boats, for medical/dental use to name just a few. We can also develop specialized systems according to our customer's special needs.

We have the largest selection of simple, environmentally friendly plastic fittings and plastic tubing from the world's leading manufacturer of quick couplings, John Guest. The products connect easily together and can withstand pressures up to 120 bar. We have various product lines that are adapted to water / liquids / chemicals and air / gas.

ECO WATER AS

P.O. Box 177
N-1430 Ås
Norway

Phone: +47 454 26 200
post@ecowater.no

 John Guest®


Doulton
world class ceramic filters


British
Berkefeld.
world class ceramic filters



E-mail

post@ecowater.no



Phone

+47 454 26 200



Facebook

Visit us on Facebook!

www.ecowater.no